



KAUFMAN
ENGINEERED SYSTEMS

ROBOTIC LABELER SERIES

Flexible, Predictable, Simple

- ☑ **Flexible:** Capable of reaching top and bottom, sides, and adjacent corners of unit load.
- ☑ **Predictable:** 100,000 hours mean time between failure for robotic arm.
- ☑ **Simple:** Eliminate the need for multiple labelers with one solution.

Ver. Oct. 2016

Contact Kaufman at Info@KES-USA.com or 419-878-9727
to Add The Robotic Labeler System to Your Packaging Line

www.KES-USA.com
Info@KES-USA.com





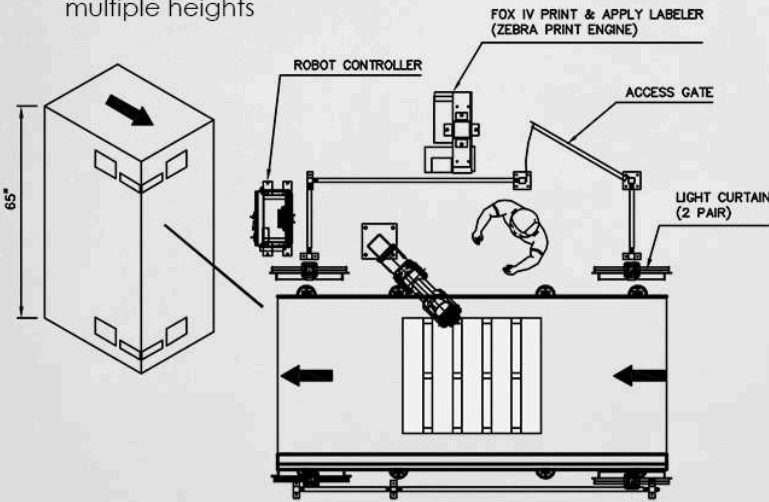
KAUFMAN ENGINEERED SYSTEMS

Kaufman Robotic Labeler Series:

- KRL1 Kaufman Robotic Labeler
- KRL1R Kaufman Robotic Labeler with Label Reader
- KRL1V Kaufman Robotic Labeler with Label Verification

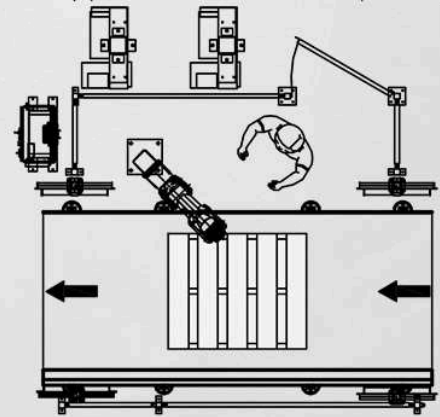
Example Formats:

- 1 printer, 1 robotic labeler
- Label application: 2 sides, multiple heights



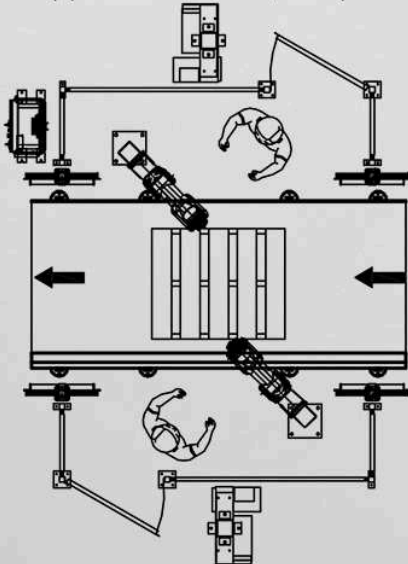
- 2 printers, 1 robotic labeler

- 2 label styles
- Label application: 2 sides, multiple heights



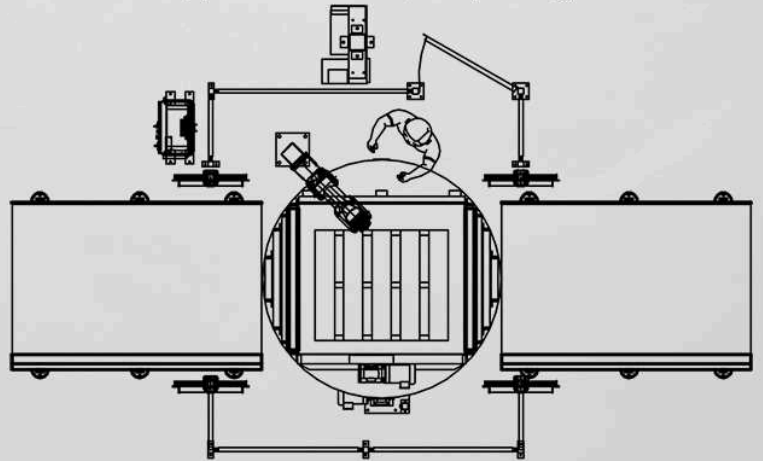
- 2 printers, 2 robotic labelers

- 2 label styles
- Label application: 4 sides, multiple heights



- 1 printer, 1 robotic labeler, turntable conveyor

- Label application: 4 sides, multiple heights



Ver. Oct. 2016

Contact Kaufman at Info@KES-USA.com or 419-878-9727
to Add The Robotic Labeler System to Your Packaging Line

www.KES-USA.com
Info@KES-USA.com





KAUFMAN

ENGINEERED SYSTEMS

MODEL		ROBOTIC LABELER		
		KRL1	KRL1R	KRL1V
SPECIFICATIONS	SPEED - LOADS PER HOUR (BASED ON 60 FPM CONVEYOR SPEED, 2 LABELS PER LOAD)	100-120		
	MEAN TIME BETWEEN FAILURE	100,000 HRS		
	LOAD SIZE (L x W)	(36" x 40") TO (44" x 56")		
	LOAD HEIGHT	65" MAX BETWEEN LABELS		
	LABEL APPLICATION	N/A	Read	Verify
	INTEGRATION WITH PLC AND WCS	OPTIONAL		
	PRINT ENGINE	FOX IV ZEBRA		
	LOW LABEL ROLL NOTIFICATION	STANDARD		
	SAFETY	CATEGORY 3		
AVAILABLE FORMATS	ONE (1) PRINTER, ONE (1) ROBOTIC LABELER	LABEL APPLICATION TWO (2) SIDES, MULTIPLE HEIGHTS		
	TWO (2) PRINTERS, ONE (1) ROBOTIC LABELER	LABEL APPLICATION TWO (2) SIDES, MULTIPLE HEIGHTS		
	TWO (2) PRINTERS, TWO (2) ROBOTIC LABELERS	LABEL APPLICATION FOUR (4) SIDES, MULTIPLE HEIGHTS		
	ONE (1) PRINTER, ONE (1) ROBOTIC LABELER, WITH TURNTABLE CONVEYOR	LABEL APPLICATION TWO (2) SIDES, MULTIPLE HEIGHTS		
CONTROLS	ENCLOSURES	HOFFMAN		
	PLC	AB LOGIX FAMILY		
	HMI	AB PANELVIEW PLUS SERIES		
	DISCONNECT	AB FLANGE		
STANDARD COMPONENTS	ELECTRICAL -			
	ROBOTIC			
	ROBOT MODEL	FANUC LR MATE 200		
	ROBOT CONTROLLER	FANUC R30IA MATE		
	PHOTOELECTRIC SENSOR	BANNER		
	BARCODE SCANNER	IFM		
LIMIT SWITCHES	ALLEN BRADLEY			
SAFETY GATE SWITCHES	SCHMERSAL			

Ver. Oct. 2016

Contact Kaufman at Info@KES-USA.com or 419-878-9727
to Add The Robotic Labeler System to Your Packaging Line

www.KES-USA.com
Info@KES-USA.com



HUNDREDS OF SUCCESSFUL
COMPANIES HAVE CHOSEN
KAUFMAN ENGINEERED SYSTEMS
AS THEIR SINGLE SOURCE
MANUFACTURER FOR COMPLETE
END OF LINE AUTOMATION

Kaufman Engineered Systems
419-878-9727
1260 Waterville-Monclova Road
Waterville, Ohio 43566

Info@KES-USA.com
www.KES-USA.com

