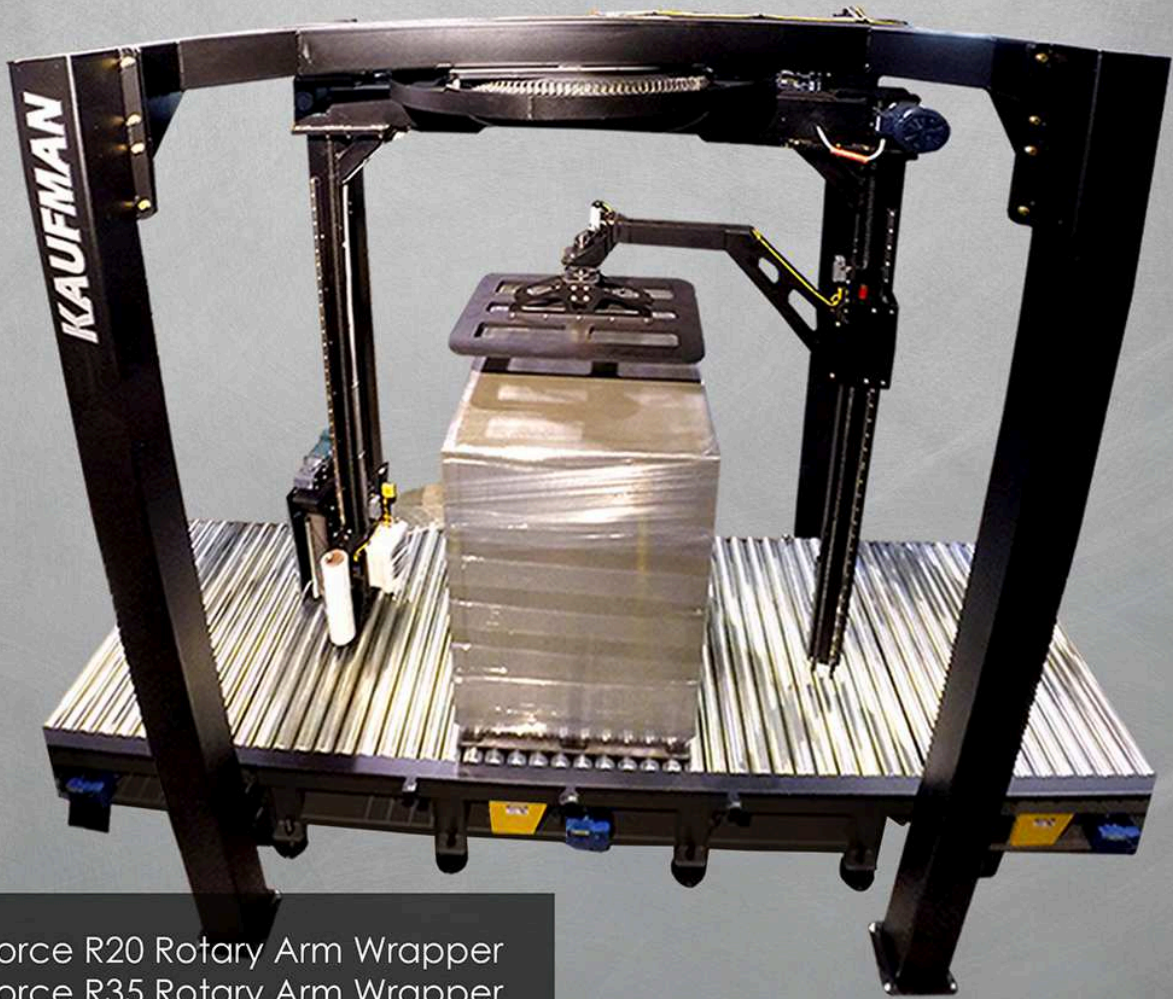




KAUFMAN
ENGINEERED SYSTEMS

Introducing:

THE **KFORCE** SERIES STRETCH WRAPPERS



- The KForce R20 Rotary Arm Wrapper
- The KForce R35 Rotary Arm Wrapper
- The KForce T20 Turn Table Wrapper

Contact Kaufman at Info@KES-USA.com or 419-878-9727
to Add The KForce Stretch Wrapping System to Your Packaging Line

Ver. Oct. 16

www.KES-USA.com
Info@KES-USA.com

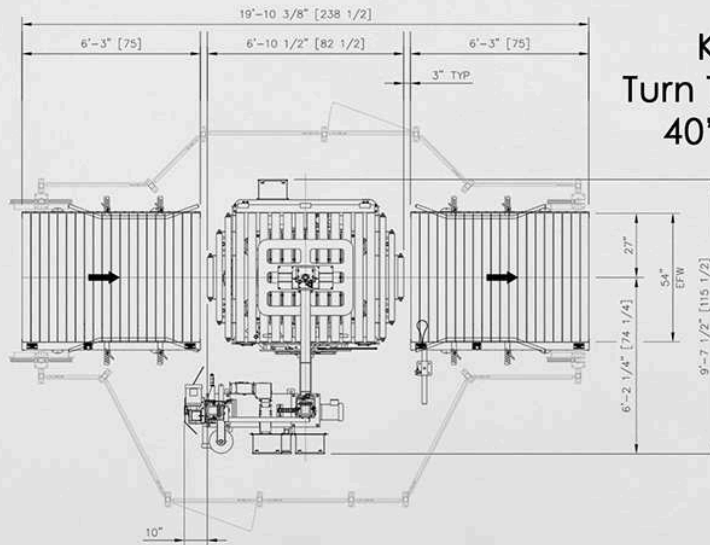




KAUFMAN
ENGINEERED SYSTEMS

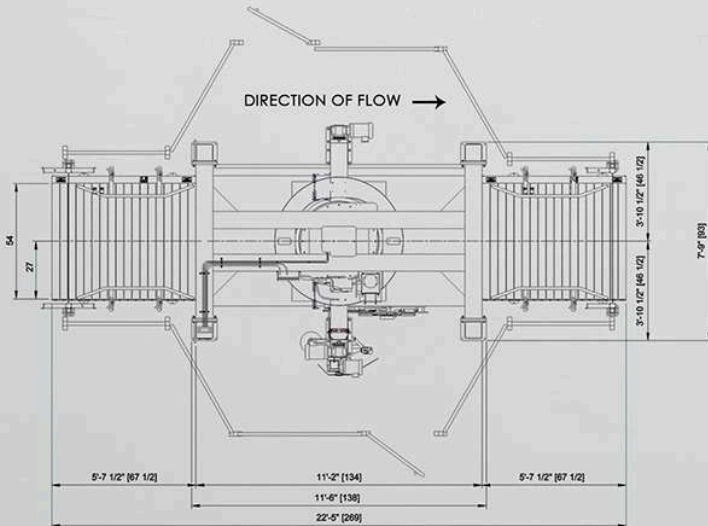
KFORCE
TECHNOLOGY

Stretch Wrapper Layouts

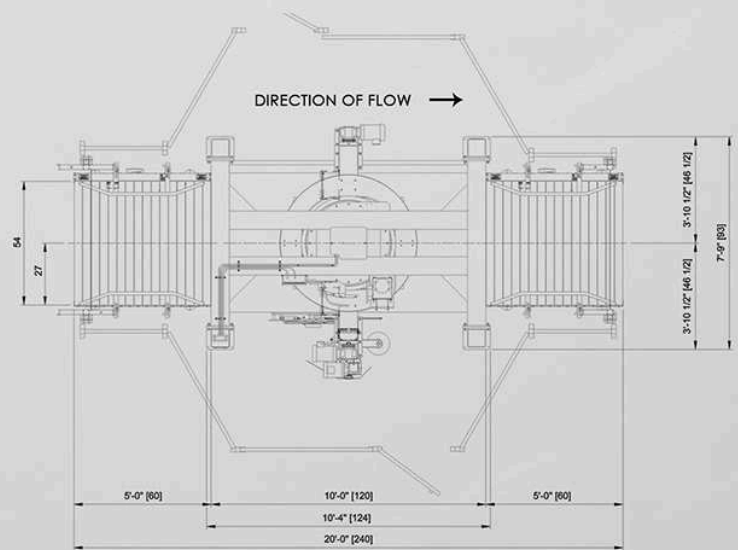


KForce T20
Turn Table Wrapper
40" x 48" Pallet

KForce R20/35
Rotary Arm Wrapper
44" x 56" Pallet



KForce R20/35
Rotary Arm Wrapper
40" x 48" Pallet



CAM Corner Anticipation Mode

As a unit load rotates on a turntable or a wrapper arm rotates around a unit load, the stretch film feed rate needs to adjust to varying demands caused by the shape of the unit load. Sides of a unit load have a decrease in film demand and corners have an increase in film demand.

Corner Anticipation Mode (CAM) is Kaufman Engineered Systems' proprietary technology that allows the stretch wrapper to feed film to the unit load in a method which provides a more even distribution of film during the wrap process. The benefits; less film tear outs on pallet corners, sharp edges, and uneven loads. Using CAM, unit loads which are unstable, tall, or very light can be wrapped without adding equipment, such as a hold down. Finally, CAM can assist in maximizing the containment force required for unit load stretch wrapping.

If you're confronted with problems or challenges in your stretch wrapping process, if you're looking to improve the efficiency of your stretch wrapping lines, or need to lower your unit load wrapping costs, contact Kaufman Engineered Systems.



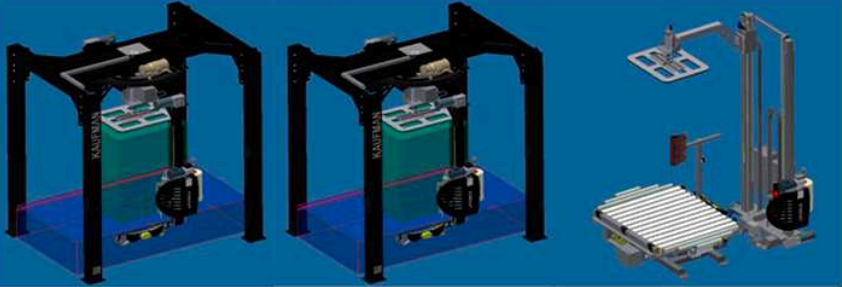
Ver. Oct. 16

Contact Kaufman at Info@KES-USA.com or 419-878-9727
to Add The KForce Stretch Wrapping System to Your Packaging Line



KAUFMAN

ENGINEERED SYSTEMS

| | | MODEL |  | | |
|---------------------|--|--|--|---|----------------------------------|
| | | | KFORCE R20 ROTARY ARM WRAPPER | KFORCE R35 ROTARY ARM WRAPPER | KFORCE T20 TURN TABLE WRAPPER |
| SPECIFICATIONS | SPEED | 20 RPM | 35 RPM | 20 RPM | |
| | RATED LPH (BASED ON 8 WRAPS, 60 FPM CONVEYOR SPEED) | 70 | 95 | 60 | |
| | LOAD SIZE MAX (L x W x H) | 44" x 56" x 110" (FOR ADDITIONAL SIZES KES REVIEW) | | | |
| | LOAD SIZE MIN (L x W x H) | 36" x 40" x 18" (FOR ADDITIONAL SIZES KES REVIEW) | | | |
| | FILM SIZE | 20" TO 30" ROLL WIDTH | | | |
| | HOLDDOWN | OPTIONAL | | | |
| | PRESTRETCH | 0-300% | | | |
| | CORNERBOARD | OPTIONAL | | | |
| | DRY WEIGHT (SHIPPING WEIGHT) | 6600 LBS | | 4500 LBS | |
| | FILM CUT | QUICK CHANGE IMPULSE HOT WIRE | | | |
| | C-A-M | OPTIONAL | | | |
| | SAFETY | CATEGORY 3 | | | |
| | LOW FILM NOTIFICATION | STANDARD | | | |
| LUBRICATION | CENTRAL | | | | |
| MACHINE DESCRIPTION | ARM DRIVE | AB POWERFLEX 525 (2) HP 37" ROTEK GEAR BEARING | AB POWERFLEX 525 (3) HP 37" ROTEK GEAR BEARING | AB POWERFLEX 525 (2) HP 37" ROTEK GEAR BEARING | |
| | FILM ELEVATOR | AB POWERFLEX 525 (1) HP SPRING TENSIONED CHAIN DRIVE | | | |
| | PRESTRETCH | AB POWERFLEX 525 (1) HP POSITIVE CHAIN DRIVEN STRETCH ROLLERS | | | |
| | FRAME | 8" x 8" TUBE | | 6" x 6" TUBE | |
| | HOLDDOWN (OPTIONAL) | AB POWERFLEX 525 (1) HP SPRING TENSIONED CHAIN DRIVE | | | |
| CONTROLS | ENCLOSURES | HOFFMAN | | | |
| | PLC | AB LOGIX FAMILY | | | |
| | HMI | AB PANELVIEW PLUS SERIES | | | |
| | DISCONNECT | AB RIGHT HAND FLANGE STYLE | | | |
| STANDARD COMPONENTS | MECH. | MOTORS | LEESON, BALDOR | | |
| | | GEARBOX | DODGE, TIGEAR | | |
| | | VALVES | NUMATICS | | |
| | ELEC. | PHOTOEYES | EFECTOR | | |
| | | LIMIT SWITCHES | ALLEN BRADLEY | | |
| | | SAFETY GATE SWITCHES | SCHMERSAL | | |